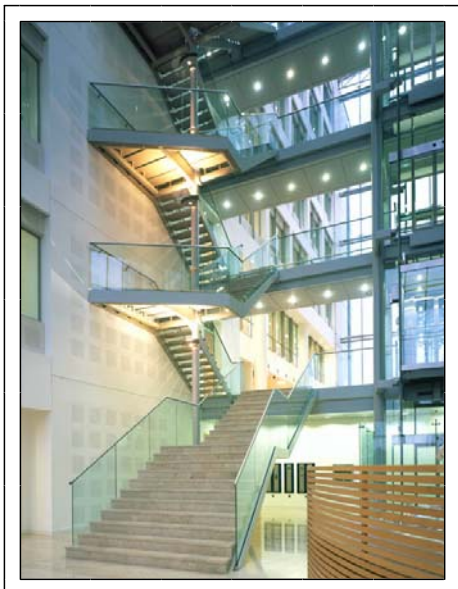


Stainless Steel Top Handrail Profile



We stock a **Stainless steel round slotted top handrail profile** which fits on top of structural glass.

We offer this product polished to individual customer requirements, from a base satin up to a mirror finish.

It is widely used for architectural applications, staircases, balcony, walkways, walkway bridges, gallery fabrication, anywhere handrail is required on glass.

Areas of supply include:

Sports and recreational buildings, offices, hotels and restaurants, hospitals and medical centres, public buildings, theatres and concert centres, airports, residential apartments, retail stores and shopping malls, plus many more.

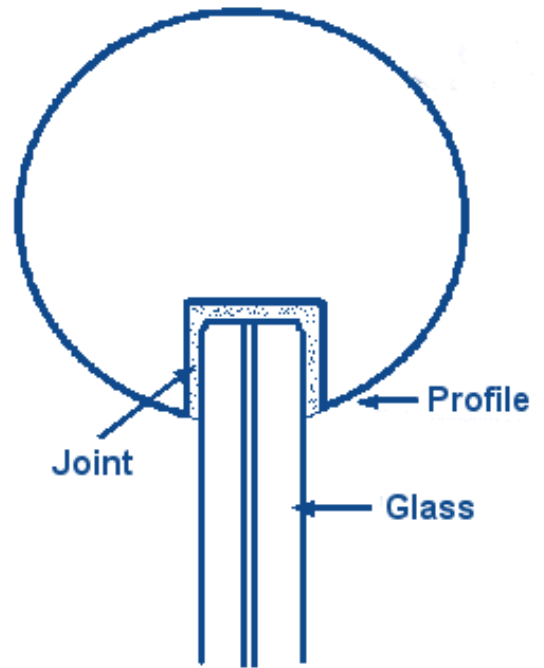
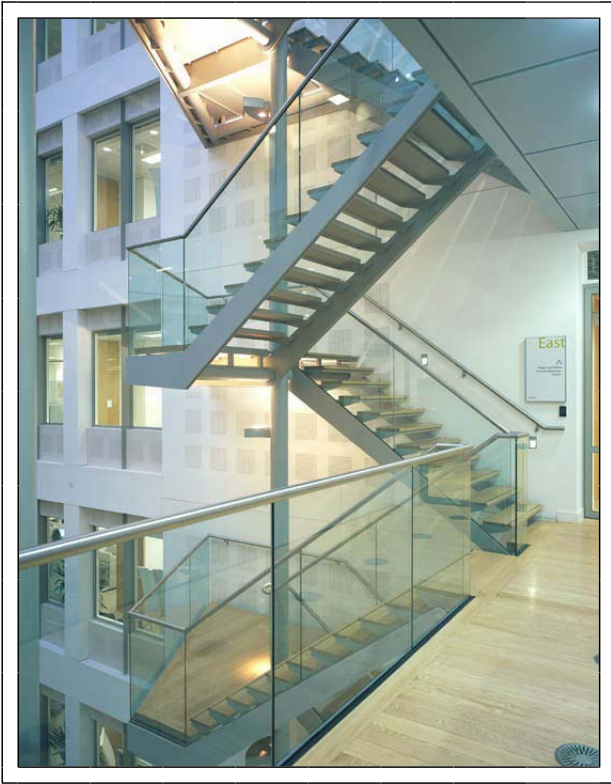
We have a continual dialogue with architects, design engineers, main and sub-contractors along with fabricators. Whether your requirement is small for a one-off, or part of a multi-million pound project we can supply.



Parkrow Alloys Ltd
Millfields Road
Ettingshall
Wolverhampton
WV4 6JQ

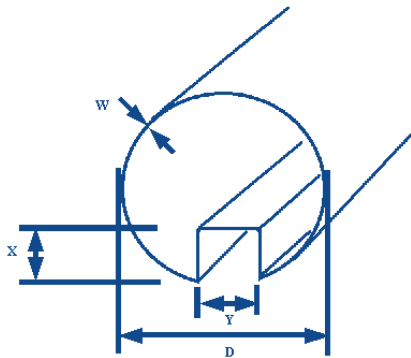
Tel 01902 402727
Fax 01902 403737

E-mail sales@parkrow-alloys.co.uk
www.parkrow-alloys.co.uk



We stock the handrail in both 304 and 316 in 6000mm lengths.

The following diagram and table show the sizes we stock and dimensions that apply.



D	Y	X	W
42.4	24	24.5	1.5
48.3	27	30	1.5
50	20	20	1.5
60	20	20	1.5
70	27	29	2.0

We compliment our top handrail stock with a range of welded round tube, equivalent to pipe sizes for general balustrade purposes.

